



# VacuQuicklift

Easy handling –  
with the new tube lifter for loads of up to 35 kg

[www.vacuhandling.de](http://www.vacuhandling.de)

**FEZER**  
Vakuum-Handhabungstechnik



### The tube lifter for quick handling tasks

The VacuQuicklift has been developed for the handling of loads up to 35 kg when short cycle times are essential, e.g.

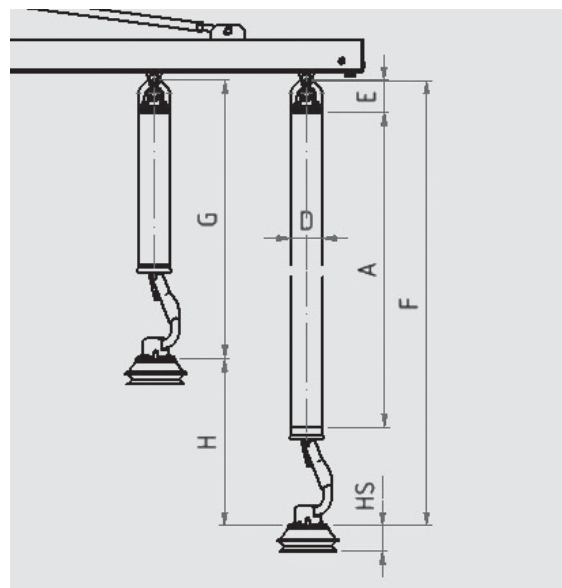
- commissioning of boxes, sacks etc.
- handling of drums
- and all dense and partially porous materials up to 35 kg

With the unique "Quick-Release-System (QRS)" the VacuQuicklift does not only use the vacuum for safe engagement and lifting of loads but also releases set-down loads by squeezing the handle. This not only increases cycle times but makes the handling of the complete lifter much easier. A simple and quick handling which only requires one hand.

# VacuQuicklift



VQL with ergonomic one-hand-control



## Design and options for the VacuQuicklift VQL



VQL for horizontal handling



Endless rotation for flexible stacking



VQL with 90° swivelling



Simple and safe control with QRS system (quick-release system)



Quick-change coupling for exchanging the suction feet for different tasks during ongoing operation



Different handling tasks

# simple, safe, fast

	VQL 80	VQL 80-90°	VQL 100	VQL 100-90°	Technical Data VacuQuicklift
<b>General Data:</b>					
Carrying capacity:	25 kg	25 kg	35 kg	35 kg	
Handling:	horizontal	swivelling	horizontal	swivelling	
Vacuum Generator:	T 4.25	T 4.25	T 4.25	T4.25	
<b>Technical Data:</b>					
Stroke speed:	50 m/min	50 m/min	50 m/min	50 m/min	
Tube diameter D	80 mm	80 mm	100 mm	100 mm	
Total height F	2.950 mm	2.950 mm	2.950 mm	2.950 mm	
Compressed length G	700 mm	700 mm	800 mm	800 mm	
Lifting height tube H	1.800 mm	1.800 mm	1.700 mm	1.700 mm	
Height lifting tube A	2.500 mm	2.500 mm	2.500 mm	2.500 mm	
Height Suspension E	100 mm	100 mm	100 mm	100 mm	
Height Suction foot HS	depending on individual suction foot (min 50 mm - 160 mm)				
Noise level	< 75 dB(A)	< 75 dB(A)	< 75 dB(A)	< 75 dB(A)	



**FEZER**  
Vakuum-Handhabungstechnik

**Albert Fezer Maschinenfabrik GmbH**

Hauptstr. 37-39

D-73730 Esslingen

Tel.: +49 711 36 009-0

Fax: +49 711 36 009-40

E-mail: [fezer@fezer.de](mailto:fezer@fezer.de)

Internet: [www.fezer.de](http://www.fezer.de)

**Sales Europe**

Austria  
Belgium  
Czech Republic  
Denmark  
Finland  
France  
Great Britain  
Hungary  
Italy  
Ireland  
Netherlands  
Norway  
Poland  
Portugal  
Russia  
Slovenia  
Spain  
Sweden  
Switzerland

**Sales Worldwide**

Australia  
Argentina  
Brazil  
Canada  
China  
India  
Indonesia  
Japan  
Malaysia  
Mexico  
Philippines  
Russia  
Saudi-Arabia  
Singapore  
South Africa  
Taiwan  
Thailand  
Turkey  
USA  
Vietnam