



VacuBoy: the universal lifters	Pages 8 / 19
VacuBoy for horizontal transport	Pages 20 / 23
VacuBoy for swivelling	Pages 24 / 25
VacuBoy for turning over	Pages 26 / 27
VacuBoy Mini	Pages 28 / 29
VacuBoy Vario	Page 30
VacuBoy Tube	Page 31

VacuBoy

Lifters for the handling of plate-like materials with dense, smooth or structured surfaces up to a weight of 2 tons.

Safe, gentle, fast

The *VacuBoy* is the ideal aid for feeding metal forming machines, stockpiling and the removal of all dense, plate-shaped materials. The unique modular system enables the *VacuBoy* to adjust to almost any requirement and guarantees an absolutely safe and simple handling. All lifters are equipped with a hand-slide valve and acoustic warning unit with power shortage indicator. Additionally there is a variety of upgrade options.

20 / 21

VacuBoy – horizontal



VacuBoy handling laminated chipboards



VacuBoy for metal plates



Handling of large sheet metal boards



VacuBoy feeding a laser cutting machine



Handling of cut laser parts



VacuBoy in combination with a slewing jib

transport up to 2 t



Handling of steel plates



Handling of aluminium plates



Get a grip

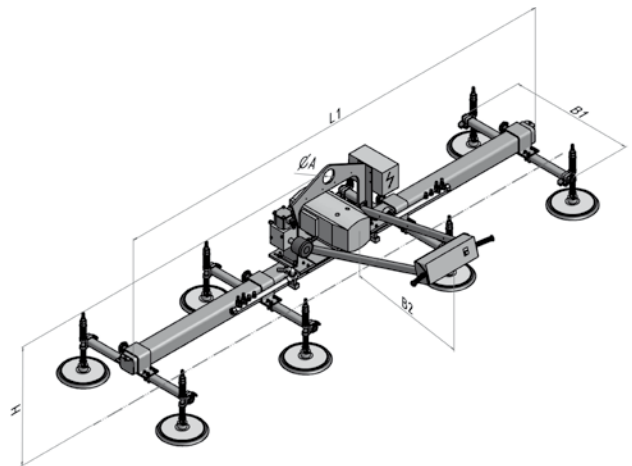
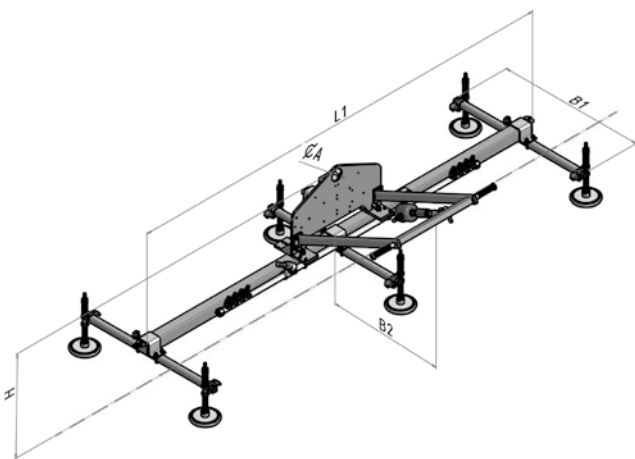
The *VacuBoy* moves plates of various materials and substances. Robust plates or sensitive panes – the *VacuBoy* takes it on. Absolutely safe and gentle.



- Aluminium and steel plates
- Scaled and rusty plates
- Chequered and studded sheets
- Plastic plates
- Glass plates and window panes
- Stone slabs
- Laminated chipboards
- Sandwich elements
- and many more!

22 / 23

VacuBoy – horizontal



FEZER
Vacuum - Material - Handling



VacuBoy handling steel sheets



VacuBoy during the assembly of car roofs



VacuBoy for horizontal handling of wrapped wooden planks



VacuBoy for metal sheet handling

transport up to 2 t

Carrying capacity (kg)	Type	Work piece dimensions max. (mm)	Work piece dimensions min. (mm)	Pump	Number of suction plates	L1 (mm)	B1 (mm)	B2 (mm)	H (mm)	A (mm)	Own weight (kg)
200	VB 80	2.000 x 1.000	600 x 400	T 4.4	4, 6, 8	1.800	800	650	470	80	45 - 55
400	VB 80	2.000 x 1.000	600 x 400	T 4.4	4, 6, 8	1.800	800	650	470	80	50 - 70
600	VB 80	3.000 x 2.000	1.000 x 600	T 4.8	4, 6, 8	2.400	800	650	470	80	60 - 80
800	VB 80	3.000 x 2.000	1.000 x 600	T 4.8	4, 6, 8, 10	2.400	800	650	570	80	80 - 100
1.000	VB 100	3.000 x 2.000	1.000 x 600	T 4.16	6, 8, 10, 12	2.400	800	650	570	80	120 - 180
1.200	VB 100	4.000 x 2.000	1.000 x 600	T 4.16	6, 8, 10, 12	2.400	1.200	900	570	80	180 - 220
1.400	VB 100	4.000 x 2.000	1.000 x 600	T 4.16	8, 10, 12, 14	2.400	1.200	900	570	80	200 - 240
1.600	VB 100	4.000 x 2.000	1.000 x 600	T 4.16	8, 10, 12, 14	3.000	1.200	900	570	80	240 - 300
1.800	VB 100	4.000 x 2.000	1.000 x 600	T 4.16	10, 12, 14, 16	3.000	1.200	900	570	80	280 - 320
2.000	VB 100	4.000 x 2.000	1.000 x 600	T 4.16	10, 12, 14, 16	3.000	1.200	900	570	80	300 - 360

The carrying capacity refers to an operational vacuum of 60% and a dry surface, free of dirt.
The indicated work piece dimensions are theoretical only and depend on the thickness of the material.