

Vacuum Load Lifting Devices

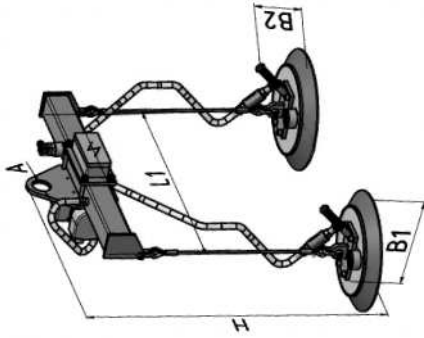
VacuBoyVario VBV

The Variable One up to 500 kg

The VacuBoyVario is a universally suitable lifter. Loads can both be lifted horizontally and vertically, or else lying loads can be uprighted. The suction pads, which can be individually switched on and off, only need to be placed correspondingly.

The rope suspension of the suction pads and the resulting narrow design make the VacuBoyVario a very variably suitable device.

- Horizontal and vertical handling
- Handling and installation of glass and window elements
- Handling of large-size sandwich elements
- On construction sites with 2-circuit-system



1



2



3



4

Capacity hor. / vert. (kg)	Type	Workpiece dimensions		Pump	Number of suction pads	L1 (mm)	B1 (mm)	B2 (mm)	H (mm)	A (mm)	Own weight (kg)
		max (mm)	min (mm)								
125/75	VB 100-2	2.500 x 1.250	400 x 800	T 4.8	2	800	125	150	800	60	40 ... 45
250/125	VB 100-2	3.000 x 2.000	600 x 1.200	T 4.8	2	800	220	150	800	60	50 ... 55
500/250	VB 100-2	3.000 x 2.000	600 x 1.200	T 4.8	2	800	290	150	800	60	60 ... 70

VacuBoyVario VBV in Action

- 1 Lifting steel sheets up to 200 kg
- 2 VacuBoyVario while handling the glass dome of a submarine
- 3 Handling terminal box elements for the electronic industry
- 4 Transporting steel containers up to 150 kg